

STATUS REPORT OF THE INFORMAL WORKING GROUP ON SAFER TRANSPORT OF CHILDREN IN BUSES AND COACHES (IWG-STCBC)

CHAIR: MARTA ANGLÈS , SPAIN

SECRETARY: COSTANDINOS VISVIKIS, CLEPA

INFORMAL WORKING GROUP

Lasts meeting

Next meeting

17th IWG-STCBC meeting

Date: 30 August 2023

Location: Brussels

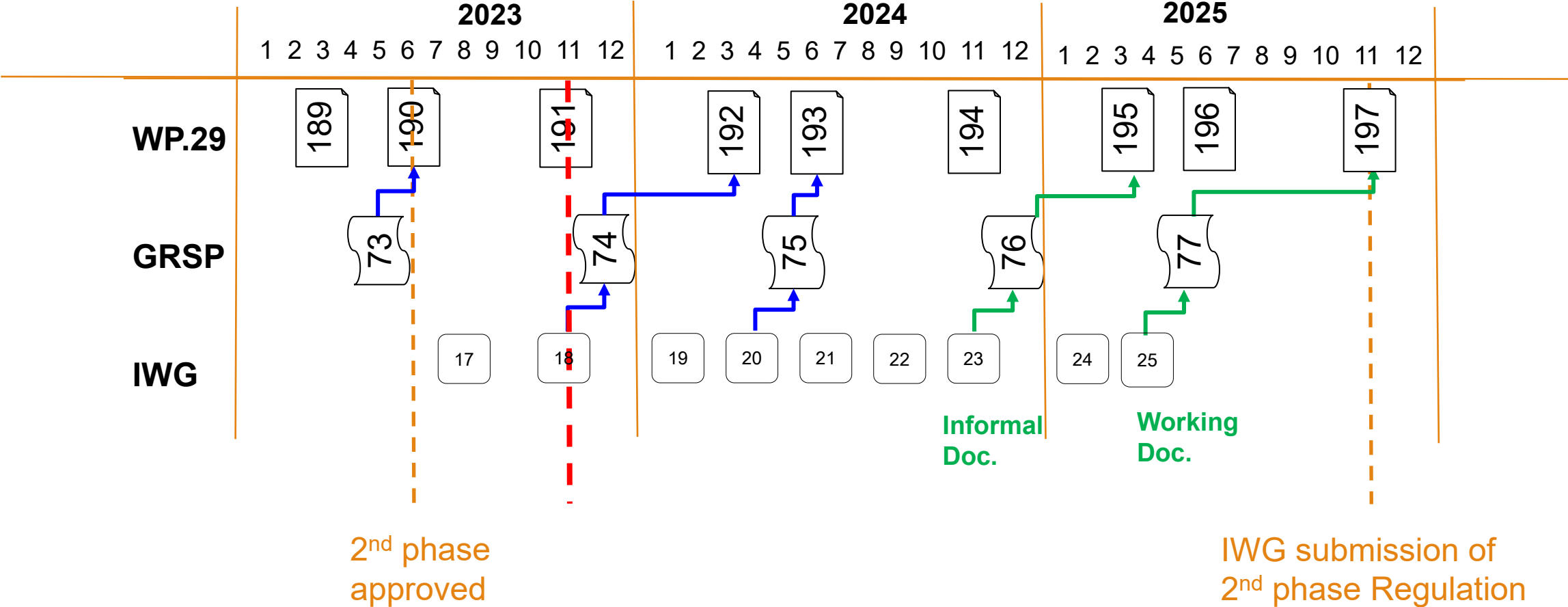
18th IWG-STCBC meeting

Date: 13th November

Location: Online

TIMELINE

Plan and Schedule



SUMMARY OF THE NEW UN REGULATION

Time line	GRSP- May 2025 WP.29 – November 2025
Objective	No ejection of the children. Good retention in the seat
Phase 1	a: CRS approved according to R-129 with 3-point belt and or ISOFIX b: Built in systems
Phase 2	CRS in combination with 2-point belts

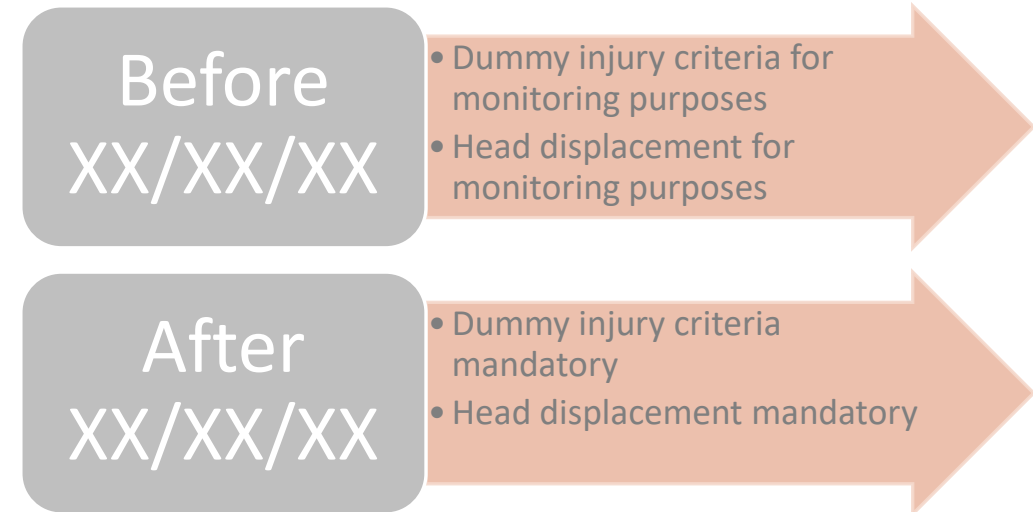
KEY ELEMENTS

- Test configurations: Frontal impact and rollover
- Retention system: 2-point belt
- Consideration of the CRS: R-129 approved CRS + additional new UN Regulation approval



DECISIONS DONE

- Construction of the bus will not be modified.
- Separate components on the CRS for installation will not be allowed.
- Combination of 2-point belts and top tether or Support leg will not be allowed.
- Tests results:
 - 1st step: Dummy injury criteria for monitoring purposes only
 - 2nd step: Dummy injury criteria mandatory from **XXX**



ONGOING

- Head impact through the front seat acceptable only if the impact is in the R80 zone.
- Test procedure:
 - Test bench (UN R129) / Real bus seat
- Labeling.
- Minimum characteristics necessary for the installation of the CRS in the bus seat:
 - Length of Seat belt.
 - Distance between lower anchorages points



NEXT STEPS

- Tests comparison:
 - Tests to be done in the UN R129 test bench
 - Tests to be done in a bus seat

THANK YOU FOR YOUR ATTENTION