

# **Simplification of the UN Lighting and Light-signalling Regulations**

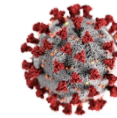
**Progress report  
to GRE-88**

# - Workload and meeting pace -

61 meetings

- I. 11 September 2014 in Brussels (BE)
- II. 23 October 2014 in Geneva (CH)
- III. 14 January 2015 in Brussels (BE)
- IV. 13 April 2015 in Geneva (CH)
- V. 13 October 2015 in Brussels (BE)
- VI. 5-6 November 2015 in Brussels (BE)
- VII. 15-16 December 2015 in Brussels (BE)
- VIII. 13-14 January 2016 in Brussels (BE)
- IX. 29 February & 1 March 2016 in Brussels (BE)
- X. 14-15 April 2016 in Brussels (BE)
- XI. 9-10 June 2016 in Brussels (BE)
- XII. 5-7 September 2016 in Brussels (BE)
- XIII. 5-7 October 2016 in Brussels (BE)
- XIV. 5-7 December 2016 in Brussels (BE)
- XV. 21-23 February 2017 in Brussels (BE)
- XVI. 22-24 March 2017 in Brussels (BE)
- XVII. 16-18 May 2017 in Tokyo (JP)
- XVIII. 13-15 June 2017 in Brussels (BE)
- XIX. 12-14 July 2017 in Brussels (BE)
- XX. 4-6 October 2017 in Brussels (BE)
- XXI. 18-21 December 2017 in Brussels (BE)
- XXII. 29 Jan / 1 Feb 2018 in Shenzhen (CN)
- XXIII. 4-6 April 2018 in Brussels (BE)
- XXIV. 30 May / 1 June 2018 in Brussels (BE)
- XXV. 3-5 July 2018 in Brussels (BE)
- XXVI. 24-26 September 2018 in Brussels (BE)
- XXVII. 10-12 December 2018 in Brussels (BE)
- XXVIII. 25-27 February 2019 in Brussels (BE)
- XXIX. 27-29 March 2019 in Brussels (BE)
- XXX. 22-24 May 2019 in Brussels (BE)
- XXXI. 3-5 July 2019 in Brussels (BE)
- XXXII. 3-5 September 2019 in Tokyo (JP)
- XXXIII. 9-11 October 2019 in Brussels (BE)
- XXXIV. 4-6 November 2019 in Brussels (BE)

- XXXV. 11-13 December 2019 in Brussels (BE)
- XXXVI. 8-10 January 2020 in Brussels (BE)
- XXXVII. 2-4 March 2020 in Brussels (BE)
- XXXVIII. 27-29 May 2020 – WebEx
- XXXIX. 7-10 July 2020 – WebEx
- XL. 26-28 August 2020 – WebEx
- XLI. 21-23 September 2020 – WebEx
- XLII. 3-5 November 2020 – WebEx \*
- XLIII. 9-11 December 2020 – WebEx \*
- XLIV. 12-14 January 2021 – WebEx \*
- XLV. 17-19 February 2021 – WebEx
- XLVI. 24-26 March 2021 – WebEx
- XLVII. 10-12 May 2021 – WebEx
- XLVIII. 16-18 June 2021 – WebEx \*
- XLIX. 20-22 July 2021 – WebEx \*
- L. 9-10 September 2021 – WebEx \*
- LI. 6-8 October 2021 – WebEx
- LII. 15-17 December 2021 – WebEx
- LIII. 19-21 January 2022 – WebEx
- LIV. 23-25 March 2022 – WebEx
- LV. 18-20 May 2022 – Brussels (BE) \*
- LVI. 27-29 June 2022 – Brussels (BE) \*
- LVII. 15-16 September 2022 – Karlsruhe (DE) \*
- LVIII. 12-14 October 2022 – Brussels (BE)
- LIX. 14-16 December 2022 – Brussels (BE)
- LX. 18-20 January 2023 – Brussels (BE)
- LXI. 22-24 March 2023 – Brussels (BE)



**Next meetings** (Hybrid sessions from Brussels):  
**SLR-62** from 26 to 28 June 2023  
**SLR-63** from 30 August to 1 September 2023

\* = In conjunction with a special SLR session on “headlamp levelling”  
(<https://wiki.unece.org/pages/viewpage.action?pageId=113345289>)

# SLR submission to GRE-88



## Economic and Social Council

**“Headlamp levelling”** to introduce a new aiming diagram and to allow manual levelling only for off-road vehicles

- ECE/TRANS/WP.29/GRE/2020/8/Rev.3 → New 09 series of UN Regulation No. 48

**“Device transition”** to enable the phasing out of the installation of older lamps/devices

- ECE/TRANS/WP.29/GRE/2023/3 → Draft proposal for UN Regulation No. 48.09
- ECE/TRANS/WP.29/GRE/2023/4 → Draft proposal for UN Regulation No. 53.04
- ECE/TRANS/WP.29/GRE/2023/5 → Draft proposal for UN Regulation No. 74.03
- ECE/TRANS/WP.29/GRE/2023/6 → Draft proposal for UN Regulation No. 86.03

# Stage 2 / Step 2

## Specific items and general topics for consideration

### THE GOAL:

“Simplify and update the technical requirements of the UN installation Regulations (Nos. 48, 53, 74, 86), to become technology neutral with performance-based and objective test requirements”.

- ✓ SLR produced a list of specific items and general topics that should be dealt with in “Stage 2 / Step 2” of the Simplification. For example, the following subjects are considered as relevant ones:
  - Simplify and improve the definition of apparent surface
  - Objective assessment of the actual functions as installed on the vehicle
  - Harmonise requirements with other regions where possible
  - Consistency among similar requirements and definitions in installation regulations
  
- ✓ The complete list is available in doc. SLR-52-03/Rev.8. Having completed the collection from CPs and NGOs, inputs have been grouped and prioritised by assigning different colours and a brief “problem statement” has been indicated for each subject.

**Need input from CPs and NGOs on contents of the specific items**

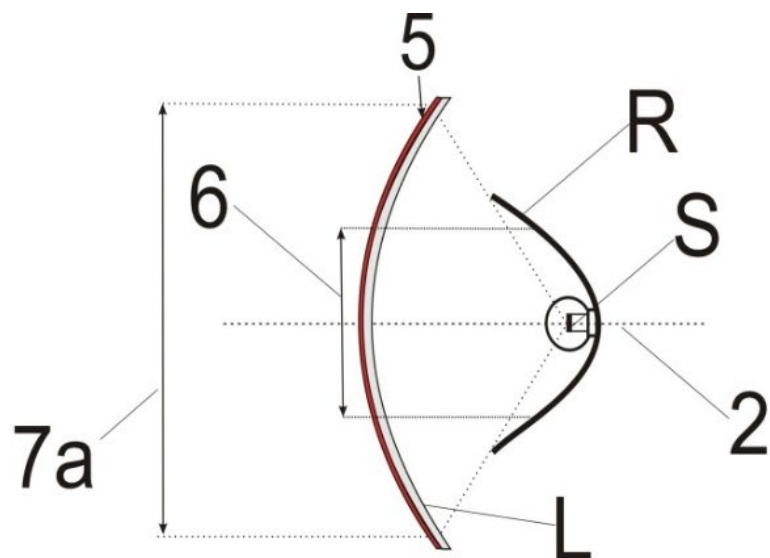
## Apparent surface – Problem statement

UN Regulation No. 48, Annex 3, Part 5, Examples 1 and 2

**Part 5 – Example of illuminating surface in comparison with light-emitting surface in the case of a "single function lamp" (see paragraphs 2.10.2. to 2.10.3. of this Regulation)**

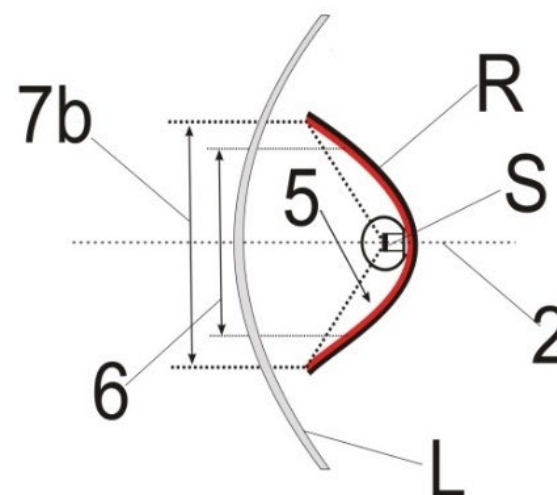
Examples of a light source with a reflector optic behind an outer lens:

Example 1



(Including the outer lens)

Example 2



(Excluding the non-textured outer lens)

**Such examples may not always cater for the current designs**

## Apparent surface – Problem statement

### Main applications of apparent surface:

- Edges of the functions,
- Distance between lamps,
- Single lamp definition,
- Areas where requested,
- Geometric visibility

### Two different methods to determine the apparent surface:

- Light emitting surface
- Illuminating surface



Need to provide a level playing field without very significant differences depending on the definition used to determine the apparent surface

- **Need to simplify the current system.**
- **Be as close as possible to reality, but without unnecessary complications.**



## DETA and the UI

### GRE-88-02/Rev.1

*“to provide clarity on UI to support a uniform implementation across the UN Regulations and the CPs”*

The GRs are invited to review the list of regulations under their purview (listed in WP.29/343/Rev.31). This list, once finalized and approved, could provide an overview to the stakeholders, when UI can be used.

Table 1

#### Assessment of UN Regulations under the purview of GRxx with regards to UI

<i>UN Regulations under the purview of GRxx</i>	<i>Use of UI prohibited</i>	<i>Use of UI possible</i>			<i>Remarks</i>
		<i>Is there additional information required in the approval mark<sup>1</sup> (Yes/No)</i>	<i>Summary document necessary (Yes/No)</i>	<i>Should additional physical marking remain on the product (Yes/No)? In case of yes, which one(s)?</i>	<i>E.g. justifications for additional physical markings that must remain on the product</i>
UN R 13	-				
UN R 13-H	-				
UN R 78	-				
UN R 79	-				
UN R 89	-				
UN R 90	X				
<del>UN R 102</del>					
UN R 130					
UN R 131					
UN R 139					
UN R 140					
<del>UN R 147</del>					
UN R 152					
UN R 155					
UN R 156					
UN R 157	X				



# Input from CPs and NGOs is always welcome

Please feel free  
to join!

