

Economic Commission for Europe

Inland Transport Committee

Working Party on the Transport of Perishable Foodstuffs

Seventy-eighth session

Geneva, 3-6 May 2022

Item 3 (c) of the provisional agenda

Activities of other international organizations dealing with issues of interest to the Working Party:

standardization organizations

27 April 2022

English

Liaison with ISO TC 315

Transmitted by Tranfrigoroute International on behalf of the ISO liaison representatives

Summary

Executive summary: Report of liaison with ISO TC315

Action to be taken: Information only.

Related documents: NA.

Introduction

1. Back in 2021, a new ISO Technical Committee (TC) has been established with the intent to deal with Cold chain logistics.
2. It has been discussed that a liaison between WP 11 and this new TC 315 would be beneficial for both.
3. In April 2022, a liaison between UNECE and ISO/TC 315 has been officially approved
4. Accordingly, Yan Zhang (UNECE); Alibech Mireles Diaz (UNECE) and Lionel Pourcheresse (AFNOR expert) have been registered as a liaison representatives from UNECE to TC 315 in the ISO database (ISO Global Directory).

About ISO/TC 315

Title: Cold chain logistics

Scope: Standardization in the field of cold chain logistics. The scope will include, but is not limited to:

- terms and conditions for carriage/storage service of refrigerated goods, physical handling of refrigerated goods (acceptance, loading, trans-shipment, storage, sorting, transportation and delivery),
- maintenance and control methods of temperature-controlled facilities, quality control methods throughout the cold chain (e.g. temperature monitoring and control, prevention of damage, loss and delay),

- hygiene management during carriage/storage service to prevent contamination of goods,
- facilitation of logistical efficiency
- manpower management, staff education and training, safety management for staff and workplaces,
- safety and reliability of carriage/storage services,
- information management and data processing such as customer management and
- cargo/parcel tracking (including labelling), as well as terminology.

Excluded: Standardization covered by ISO/TC 34 (Food products), ISO/TC 34 /SC 17 (Management systems for food safety), ISO/TC 86 (Refrigeration and air conditioning), ISO/TC104 (Freight containers), ISO/TC 122 (Packaging), ISO/TC 234 (Fishery and aquaculture), ISO/TC 276 (Biotechnology), ISO/TC 283 (Occupational health and safety management) and ISO/TC 304 (Healthcare organization management).

Secretariat: JISC (Japan)

Chair: Dr. Toshinori NEMOTO

Committee manager: Ms. Yukiko MIZUNO



Members

Participating (P) members (19)

- Austria (ASI)
- Brazil (ABNT)
- China (SAC)
- Denmark (DS)
- Finland (SFS)
- France (AFNOR)
- Germany (DIN)
- India (BIS)
- Indonesia (BSN)
- Ireland (NSAI)
- Italy (UNI)
- Japan (JISC)
- Korea, Republic of (KATS)
- Malaysia (DSM)
- Mauritius (MSB)
- Singapore (SSC)
- Thailand (TISI)
- Uganda (UNBS)
- United Kingdom (BSI)

Observing (O) members (13)

- Argentina (IRAM)
- Cuba (NC)
- Czech Republic (UNMZ)
- Hungary (MSZT)
- Iran, Islamic Republic of (ISIRI)
- Netherlands (NEN)
- New Zealand (NZSO)
- Norway (SN)
- Panama (COPANIT)
- Poland (PKN)
- Russian Federation (GOST R)
- South Africa (SABS)
- Spain (UNE)

4

Updates from the last plenary

1. Title and scope (CIB 01/2021)
TC 315 title and scope which were agreed at the first TC plenary was confirmed.
2. Projects (NP ballots)
Two NPs were submitted and approved:
 - "Contactless delivery"

- "Services between businesses – Storage and transport"

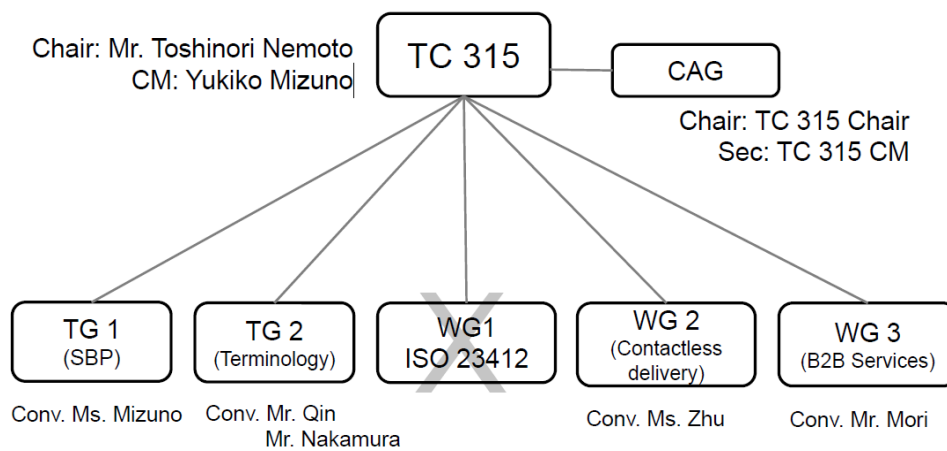
3. Working groups (CIB 02, 03, 04 and 05)

Two working groups were proposed and approved:

- WG2 "Contactless delivery" (Convenor: Ms. Xianghua Zhu)
- WG3 "Services between businesses – Storage and transport" (Convenor: Mr. Takayuki Mori)



TC 315 structure



More information: <https://www.iso.org/committee/6880159.html>