

Cooperation on transboundary watersheds in Central Asia

- Small Basin Councils

Anna Inozemtseva,
IWRM Lead
USAID Regional Water and Vulnerable Environment Activity

Existing
institutes
and
examples of
cooperation

Executive Committee of IFAS

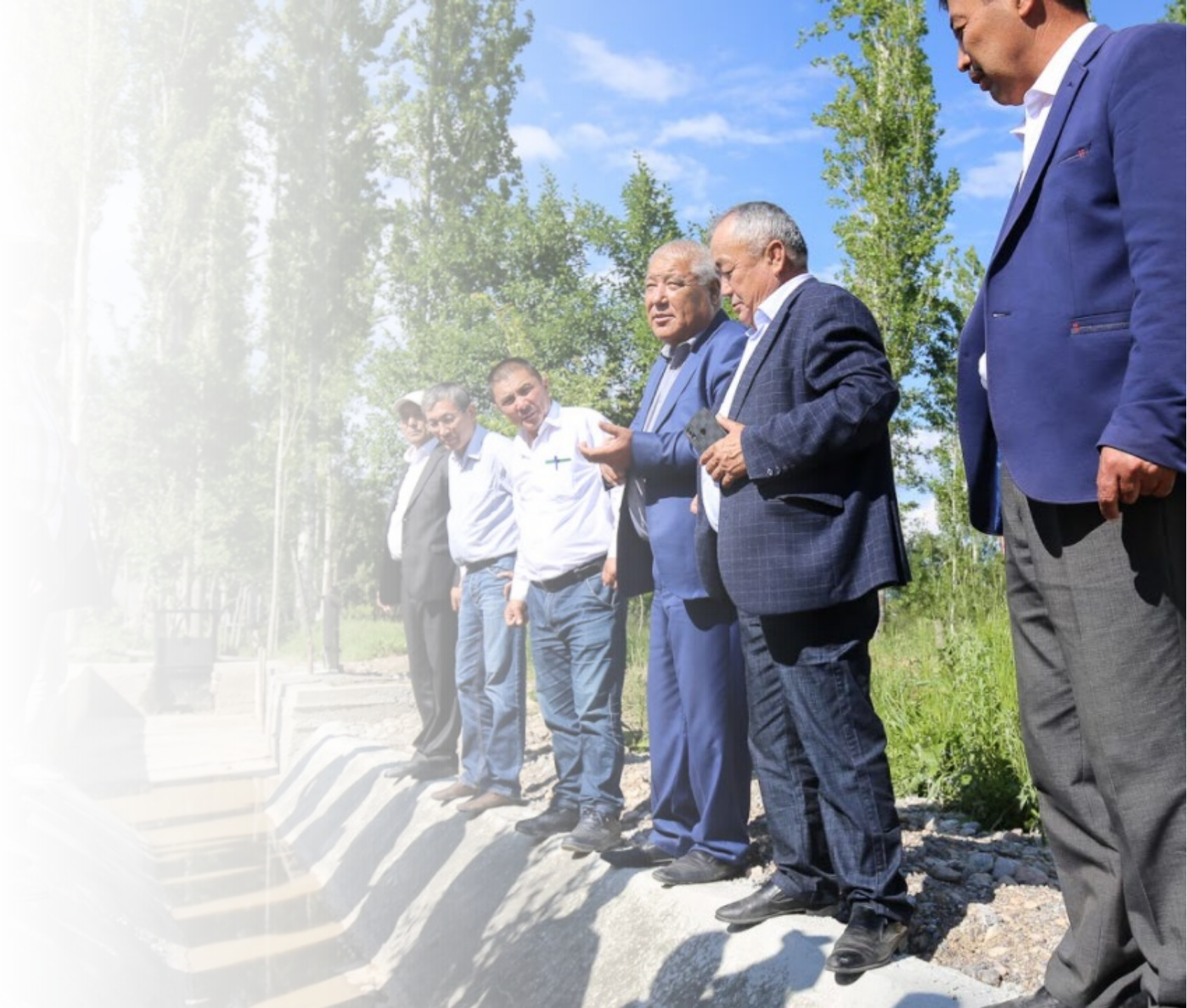
ICWC

BWO "Syrdarya", BWO "Amudarya"

Chu-Talas Water Commission

Cooperation on small watersheds: challenges

- Outdated agreements
- Absence or malfunction of infrastructure
- Complicated mechanisms and protocols of cooperation
- No institutes and low human capacity on local level



Small Basin Councils

- **Basin Council** – consultative-advisory body

- **Goal and objectives:**

- Joint planning
- WRM activities coordination
- Joint elaboration of the vision for the basin development

- **Structure:**

- SBC chair (1-2 persons)
- Secretary of SBC (1-2 persons)
- Members of SBC–10 to 30 people



SBC' mandate and duties

MANDATE

Participation in the comprehensive analysis of basin' current situation – *identification of all problematic issues, which are facing by the local communities*

Development of the Basin Plan' text – *correct and understandable (for local communities) formulation of the problems, objectives and methods of work*

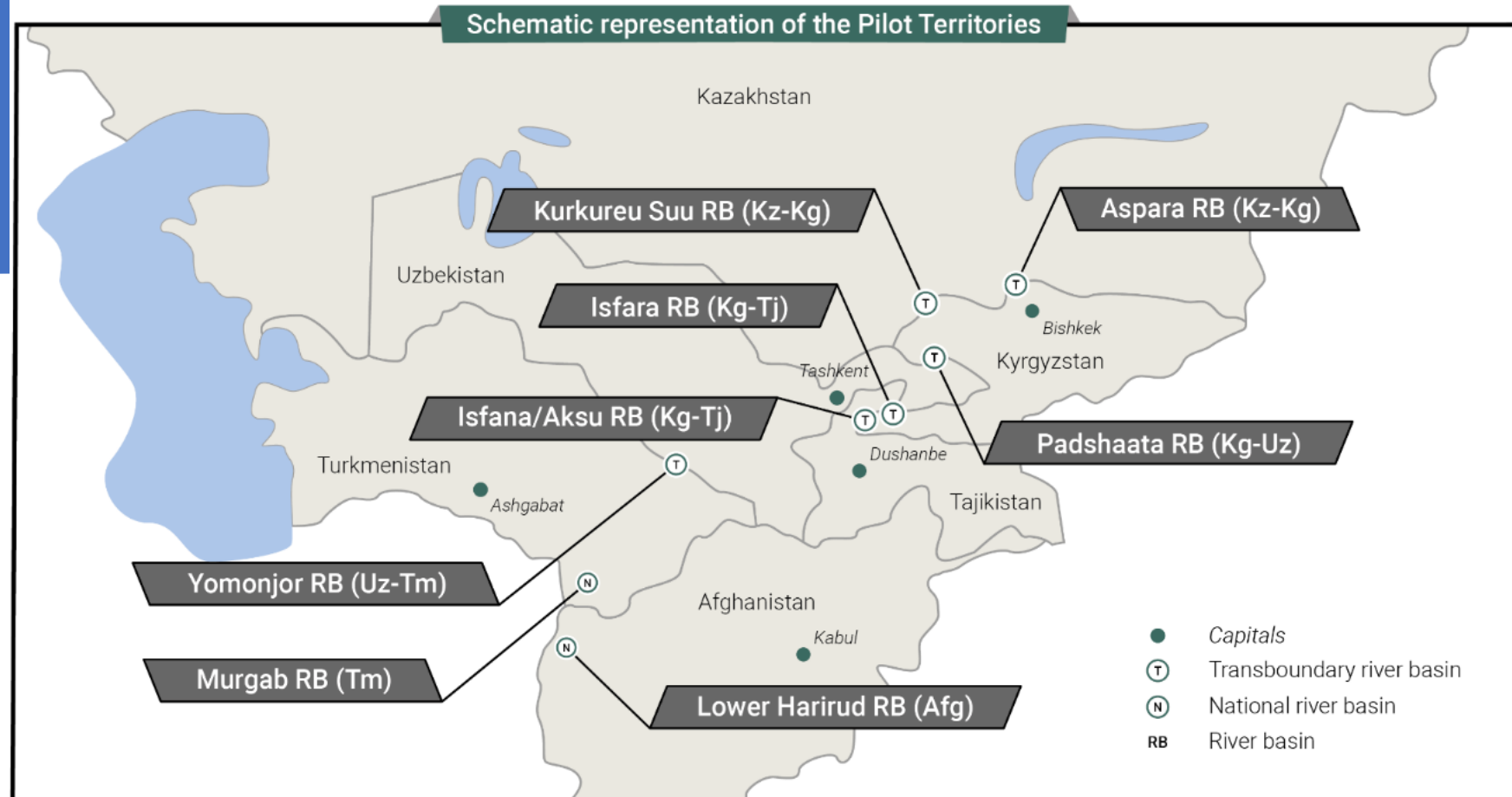
Problems prioritization – *identification of the main problems which requires immediate actions within the basin*

Identification and appointment of responsible bodies for the Plan' activities implementation – *clear distribution of responsibilities and understanding of tasks*

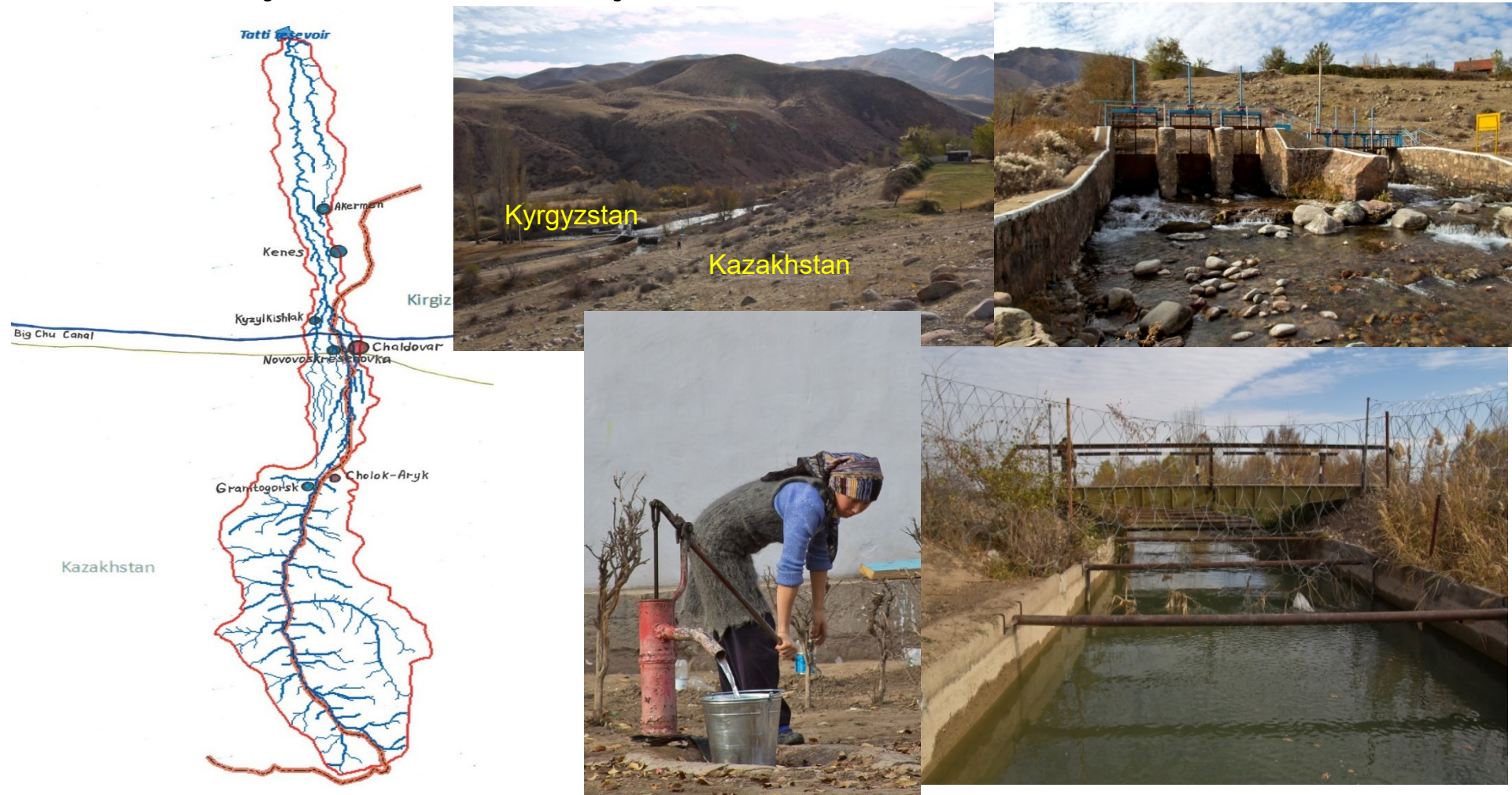
Monitoring for the Basin Plan implementation – *control on the implementation*

Reconsideration of the Plan' priorities and its activities – *self-dependence, feeling of ownership and responsibility*

USAID-funded Smart Waters' experience

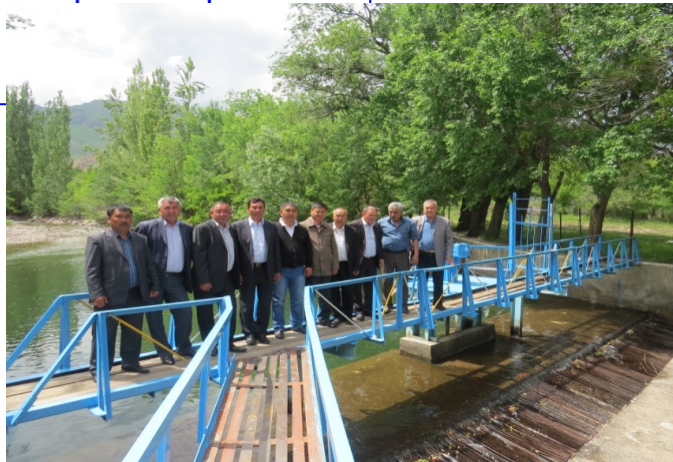
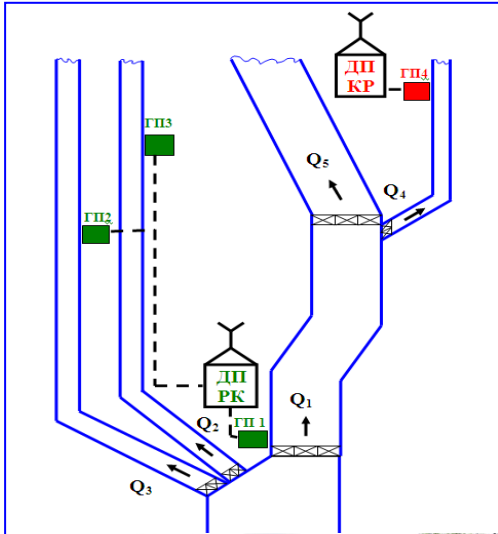


Case study – the Aspara River Basin

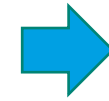


Developed within the "Stakeholders' partnerships in collaborative policymaking: Fostering transboundary cooperation on small watersheds in Central Asia" project, financed by USAID and "Support towards local initiatives in the environmental governance and water resources management in Central Asia" project, funded by the Norwegian Ministry of Climate and Environment

Basin Plan development



- Small basin council on Kazakh side
- Small basin council on Kyrgyz side
- **First joint meeting** – in a month after establishment
- **First dialogue** for more than 20 years
- Joint decision – installation of automated water measuring equipment on the main hydropost – decreasing the conflict among farmers and local communities
- **River flow data** received for the first time since 1987



TRUST BUILDING AND CONFLICT PREVENTION

Developed within the “Stakeholders’ partnerships in collaborative policymaking: Fostering transboundary cooperation on small watersheds in Central Asia” project, financed by USAID and “Support towards local initiatives in the environmental governance and water resources management in Central Asia” project, funded by the Norwegian Ministry of Climate and Environment



Conclusions

- **Local diplomacy in action**
- **Constant dialogue** – joint water resources management – **decreasing the conflicts for water on local level**
- **Platform** for cooperation on local level – a key for **sustainable development** of local communities and their prosperity
- Efficiency of the institutional bodies on water resources management often depends on the **level of their functions** (local level – easier to negotiate, more concrete issues and activities/solutions)
- **No one scenario** on cooperation development – but **one approach** and different specific issues
- No imposing the solutions, but **showing the options**
- The more **community is involved** – the more understanding among local population and less possibilities of conflicts and misunderstanding