

PROPOSAL FOR A CORRIGENDA TO REGULATION No. 55,  
DRAFT 01 SERIES OF AMENDMENTS  
(Coupling devices)

Transmitted by the secretariat on behalf of the Expert from ISO

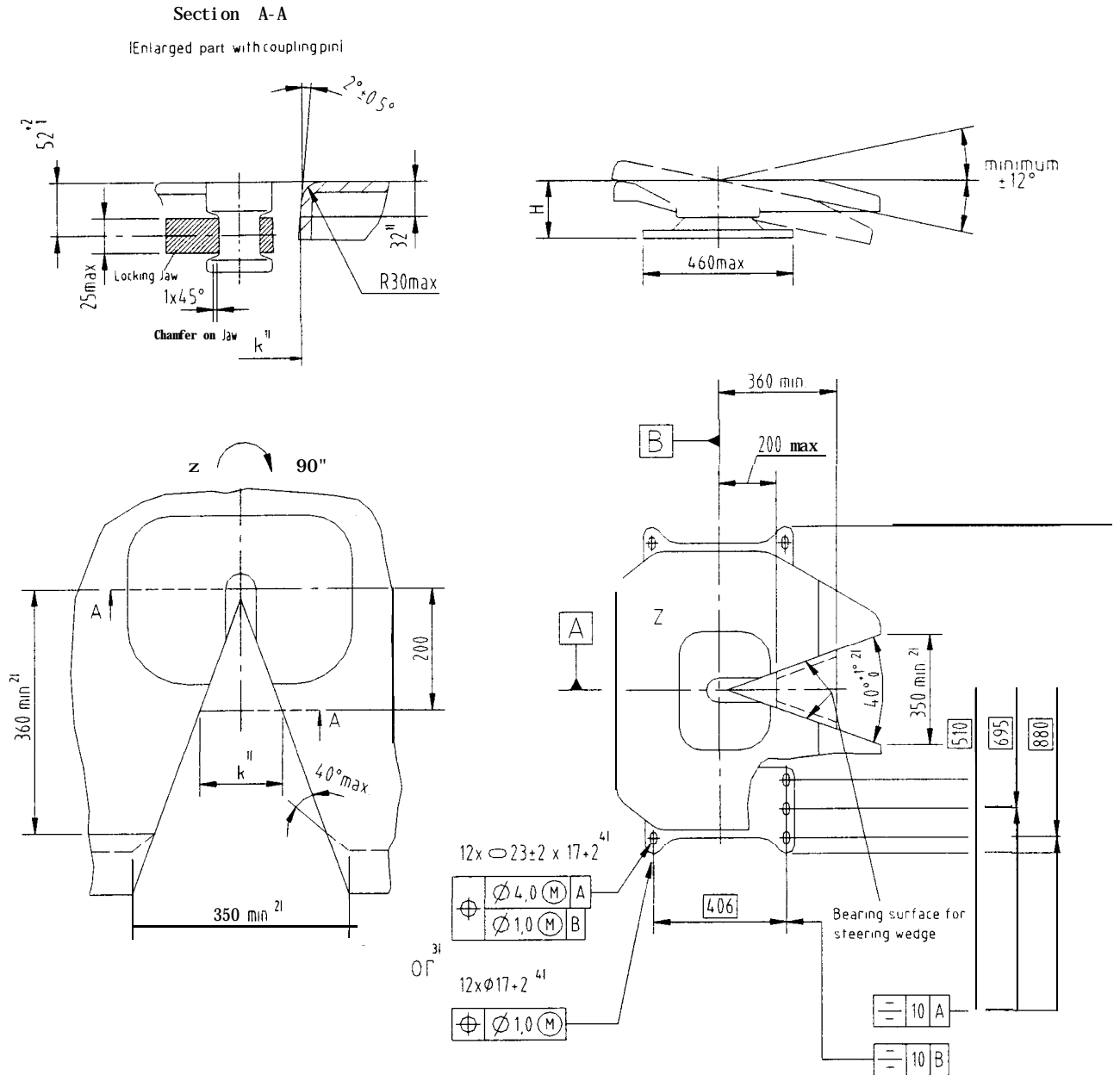
Note. The corrigenda proposed below refers to document TRANS/WP.29/2000/38. The proposal was received by the secretariat from the expert from ISO and it is transmitted for consideration to WP.29 and AC.1.

---

Annex 5,

Table 5, for Class "Dc" correct in the column "C50-7" the value of "120" to read "130".

Figure 16, replace by the following (corrected) figure, (introducing also corrected footnote 3/ and a new footnote 4/):



**Notes:**

.....

- 3/ Elongated mounting holes 23 ± 2 mm x 17 + 2/-0 mm or round mounting holes Dia. 17 + 2/-0 mm could be used.
- 4/ When using elongated holes or holes > 18 mm diameter, washers 40 mm diameter, 6 mm thick, or means of equal strength, e.g. flat steel plate, are to be used.

**Figure 16**

Dimensions of standard fifth wheel couplings (see Table 11)"