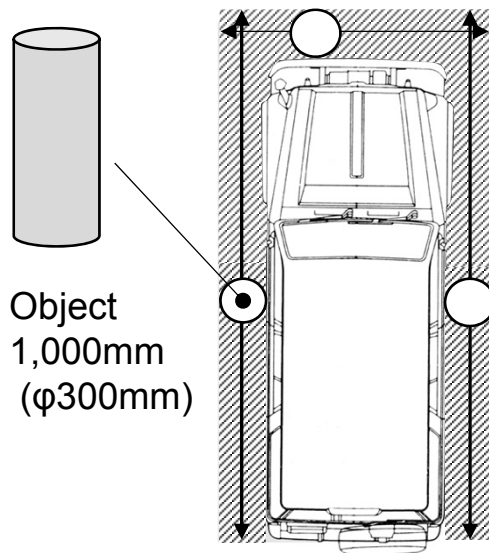


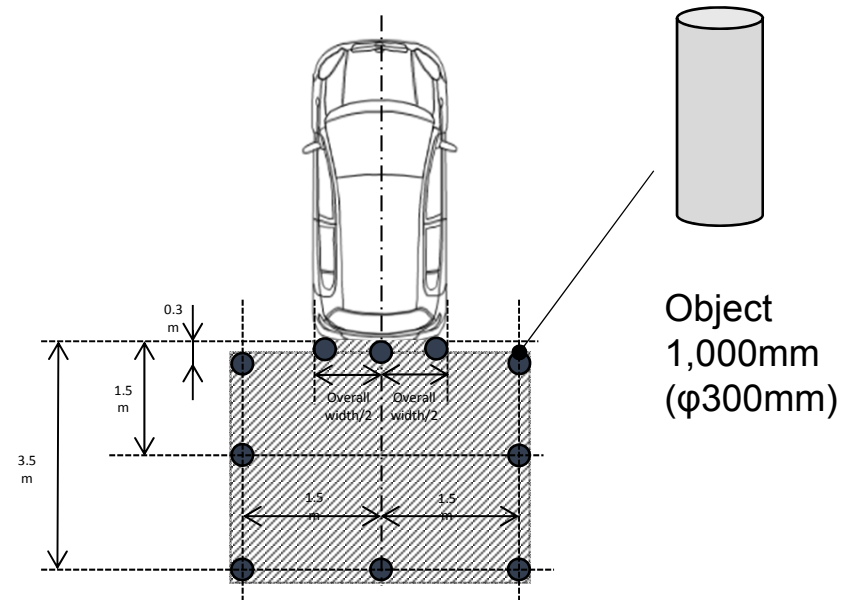
Requirement for the view of the vehicle's surroundings and rear

Purpose: To prevent accidents by enabling the driver to notice any pedestrians around or behind the vehicle.

Requirement: The close-proximity and rear-view device shall be such that the driver can detect objects (with a height of 1,000 mm and a diameter of 300 mm) located within the areas defined in Figures 1 and 2, using a mirror, camera, sonar, etc.



**Field of vision around the vehicle
(Figure 1)**



**Field of vision behind the vehicle
(Figure 2)**