



Vehicle related requirements for **i**-Size CRS

Informal document GRSP-49-21
(49th GRSP, 16-20 May 2011,
agenda items 9 and 10)

Overview on Amendments for ECE Regulation No. 14 and ECE Regulation No. 16



Vehicle related requirements for **i**-Size CRS

ECE R14 draft amendments:

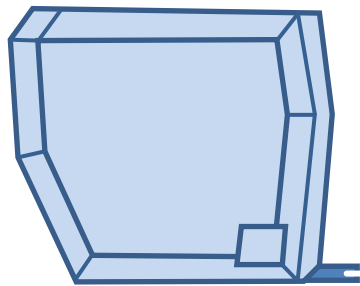
- Definition of “i-Size seating position”
- Determination of vehicle floor contact surface
- Performance requirements and test procedure
- “i-Size seating position” markings



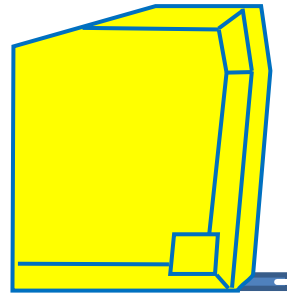
Vehicle related requirements for **i**-Size CRS

Definition of “i-Size seating position”:

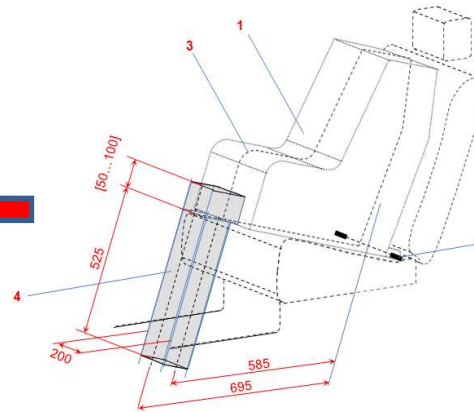
Ensure installation of



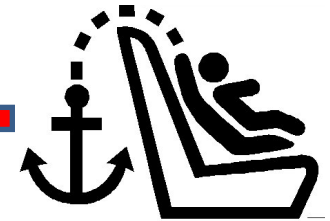
R2 envelope



F2X envelope

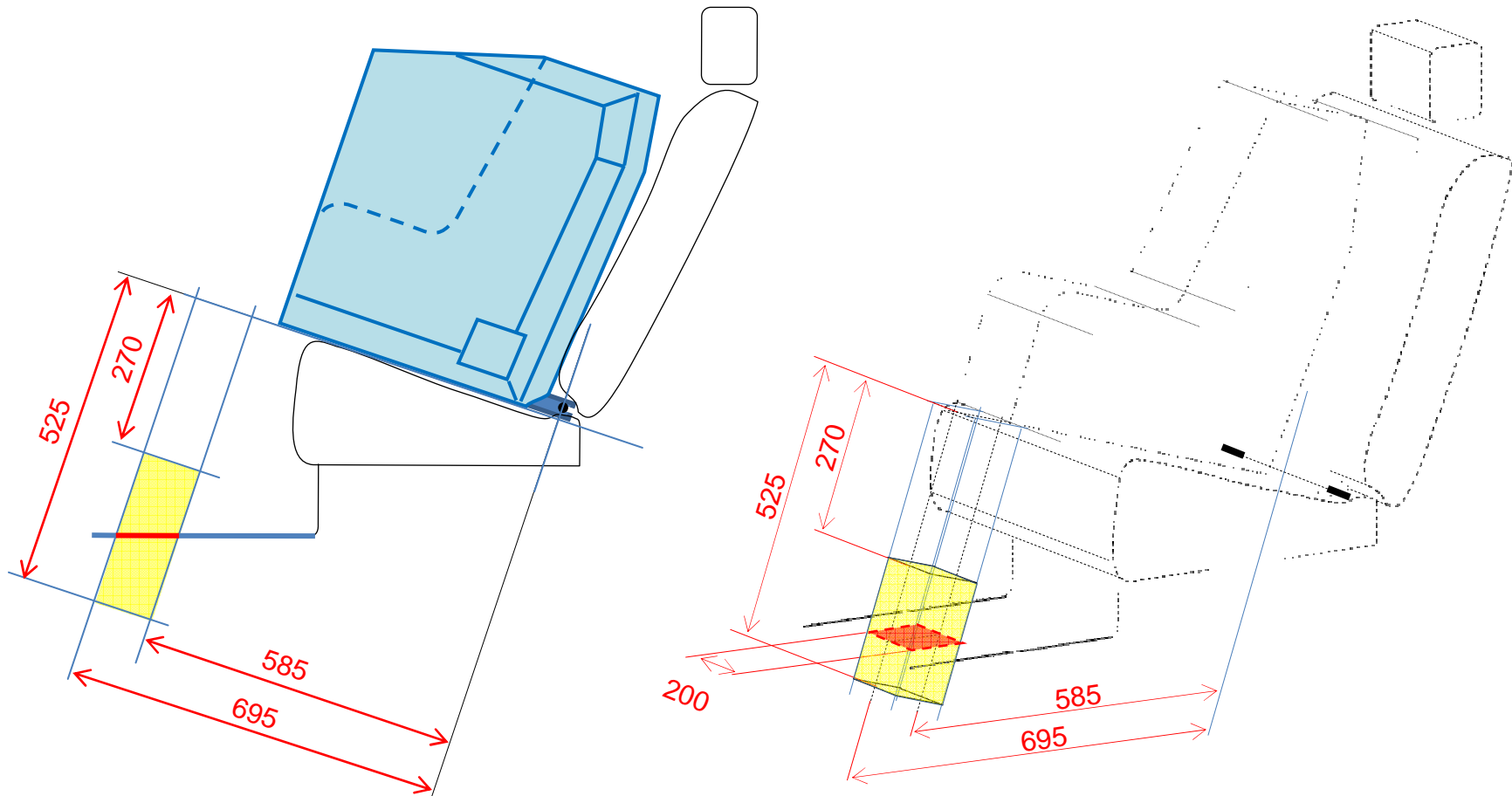


Support leg
installation
assessment
volume

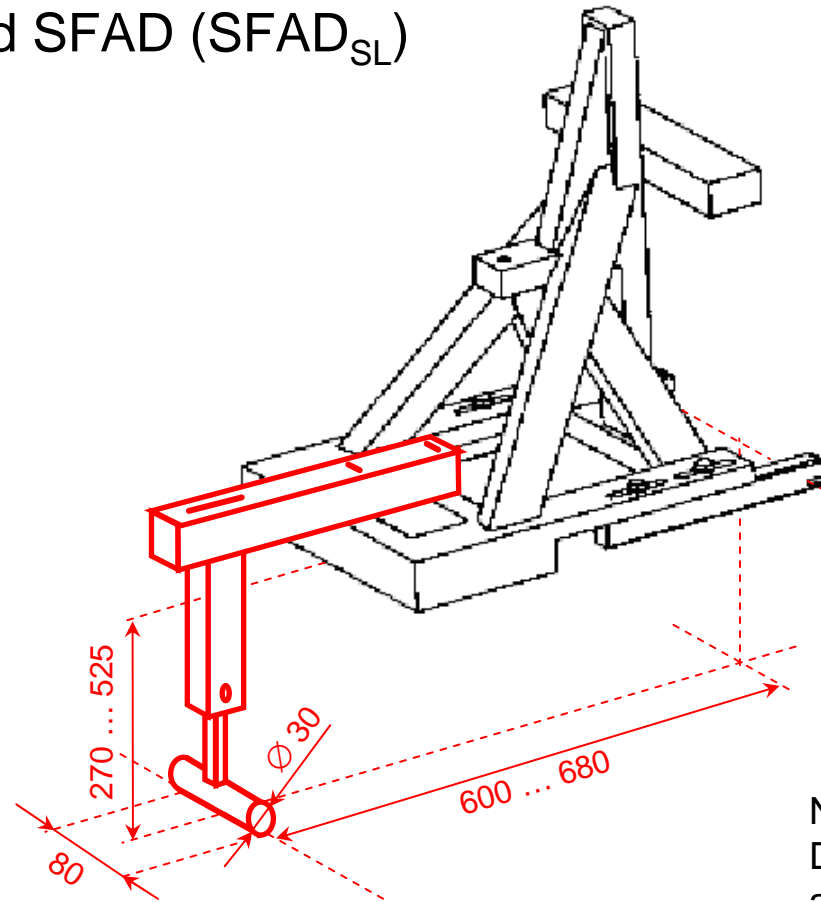


Top
tether

Determination of the vehicle floor contact surface



Test tool: Modified SFAD (SFAD_{SL})

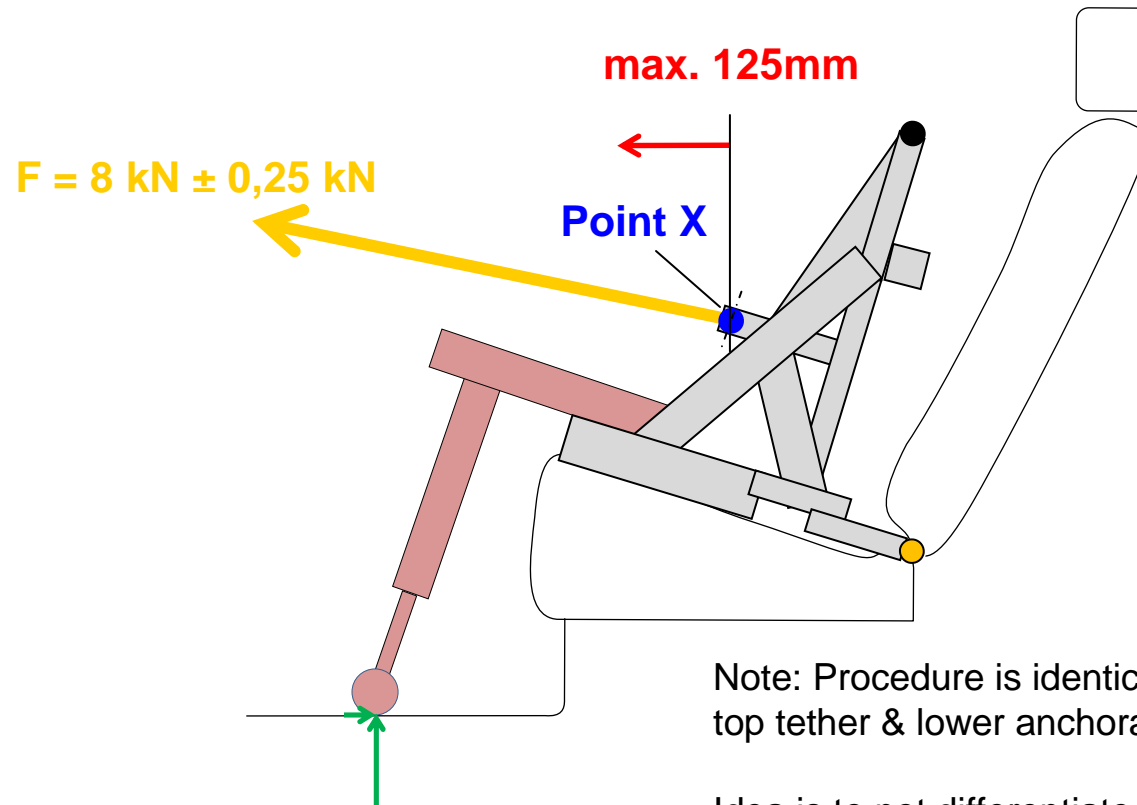


Example for an SFAD_{SL}

Note:

Dimensions for support leg foot are binding (width = 80mm, diameter = 30mm)

Test procedure using $SFAD_{SL}$:



Note: Procedure is identical to the one used for combined top tether & lower anchorage system testing.

Idea is to not differentiate between anti-rotation devices :
Same purpose – same performance requirement!

Complete vehicle floor contact surface shall comply!



Vehicle related requirements for **i**-Size CRS

“i-Size seating position” Marking:

- Concept of having a mandatory marking for “i-Size seating positions”
- Use one specific symbol for i-Size indication (to be identical for CRS and vehicle)
- Label shall contain no text
- Marking size for seating positions shall remain (min. Ø 13mm)



i-Size marking: OICA draft proposal

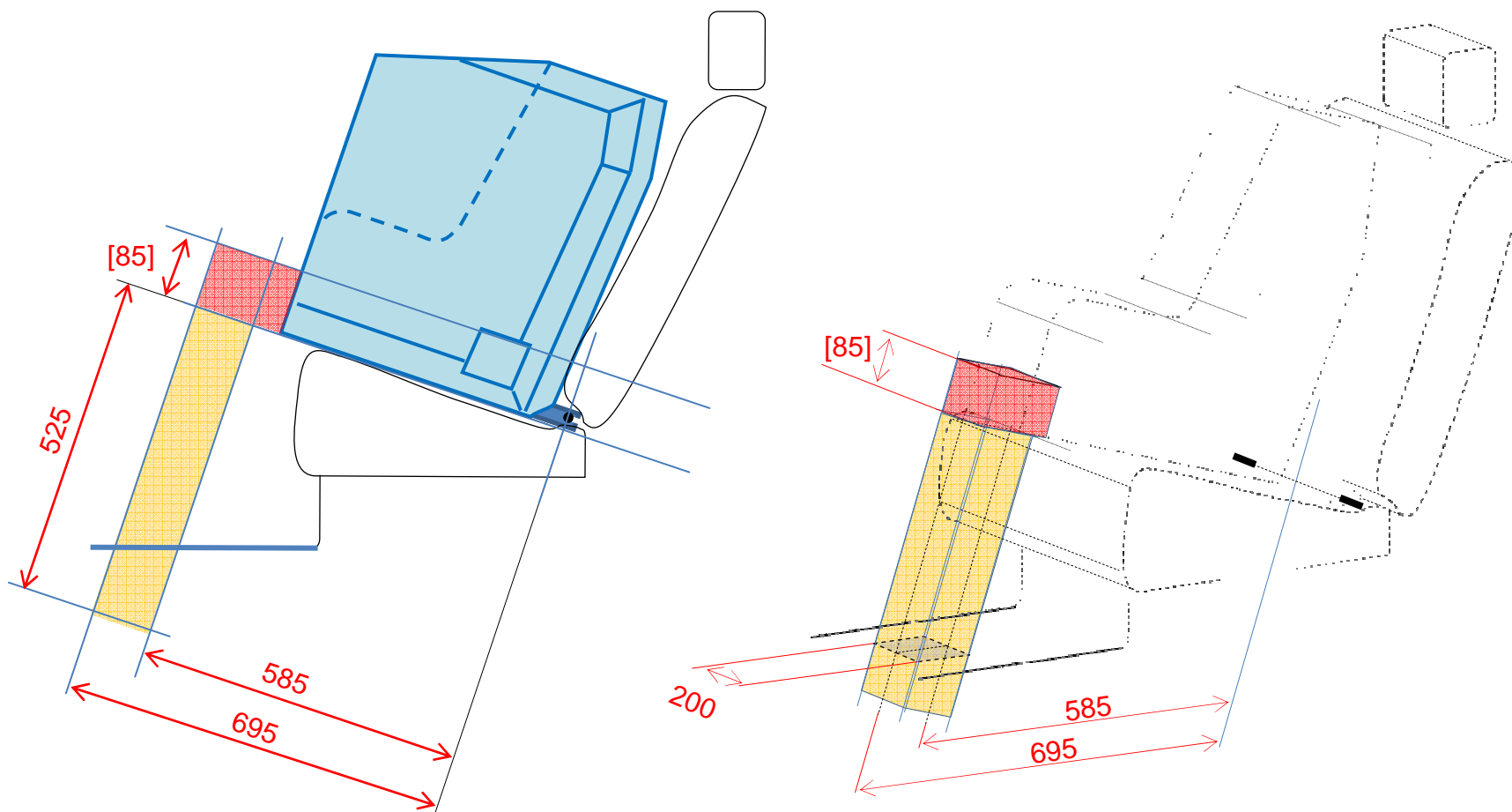


Vehicle related requirements for **i**-Size CRS

ECE R16 draft amendments:

- Geometrical assessment procedure for “i-Size seating positions” (F2X, R2, support leg installation assessment volume)
- Vehicle handbook information, e.g. installation table

Definition of the support leg installation assessment volume





Vehicle related requirements for *i*-Size CRS

Vehicle owner's manual installation instructions & information:

Vehicle manufacturer to provide information on i-Size CRS installation ("i-Size seating positions") and additional information e.g. in case of limitations for front seat adjustment, etc. in the owner's manual

	<i>Seating position</i>							
	<i>Front Passenger Outboard</i>	<i>Front Passenger Centre</i>	<i>Rear Outboard Left</i>	<i>Rear Outboard Right</i>	<i>Rear Centre</i>	<i>Intermediate Outboard Left</i>	<i>Intermediate Outboard Right</i>	<i>Intermediate Centre</i>
<i>i-Size Child Restraint Systems</i>								

Key of letters to be inserted in the above table:

i-U = Suitable for i-Size "universal" Child Restraint Systems (forward and rearward facing).

i-UF = Suitable for forward-facing i-Size "universal" Child Restraint Systems only.

X = Seating position not suitable for i-Size "universal" Child Restraint Systems.

Note: Orientation is normal driving direction;

columns for seating positions not available in a vehicle can be deleted.

Example for information to be provided