



# Vehicle related requirements for *i*-Size CRS

---

## Overview on Amendments for ECE Regulation No. 14 and ECE Regulation No. 16



# Vehicle related requirements for *i*-Size CRS

---

ECE R14 draft amendments:

- Definition of “i-Size seating position”
- Determination of vehicle floor contact surface
- Performance requirements and test procedure
- “i-Size seating position” markings

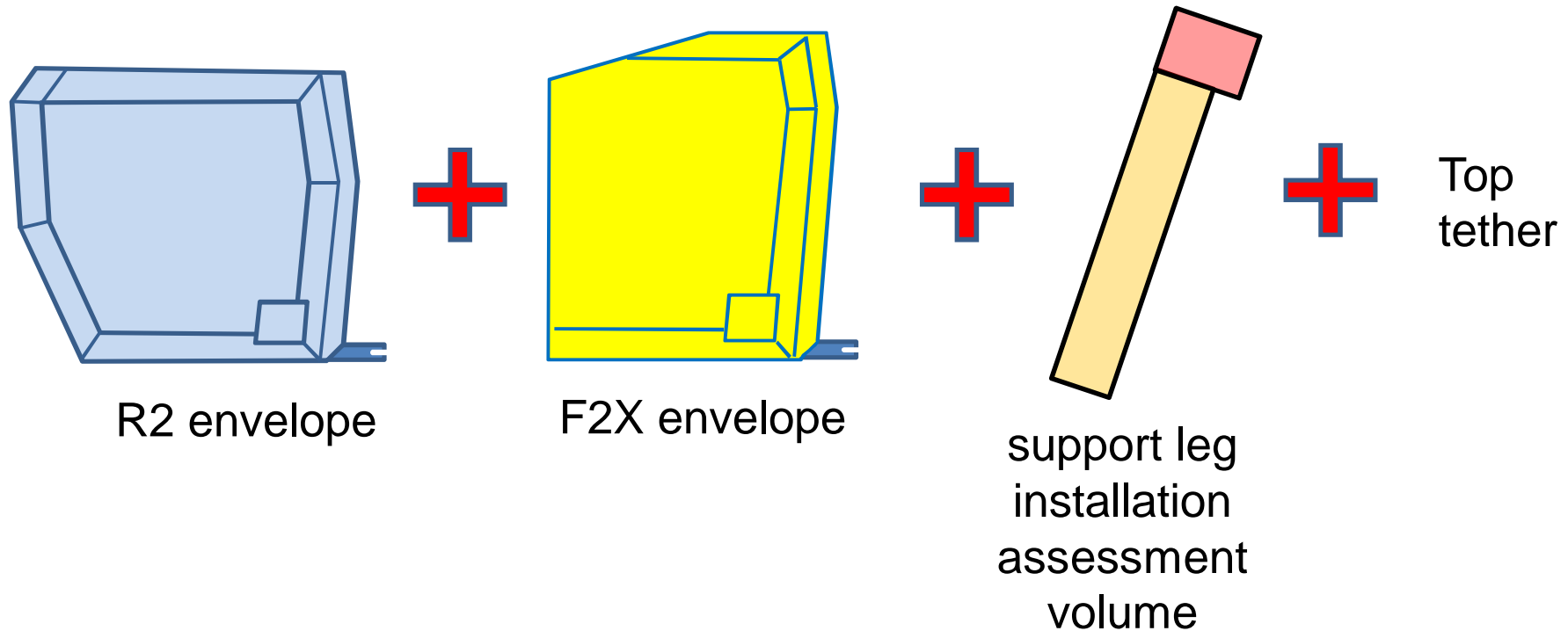


# Vehicle related requirements for *i*-Size CRS

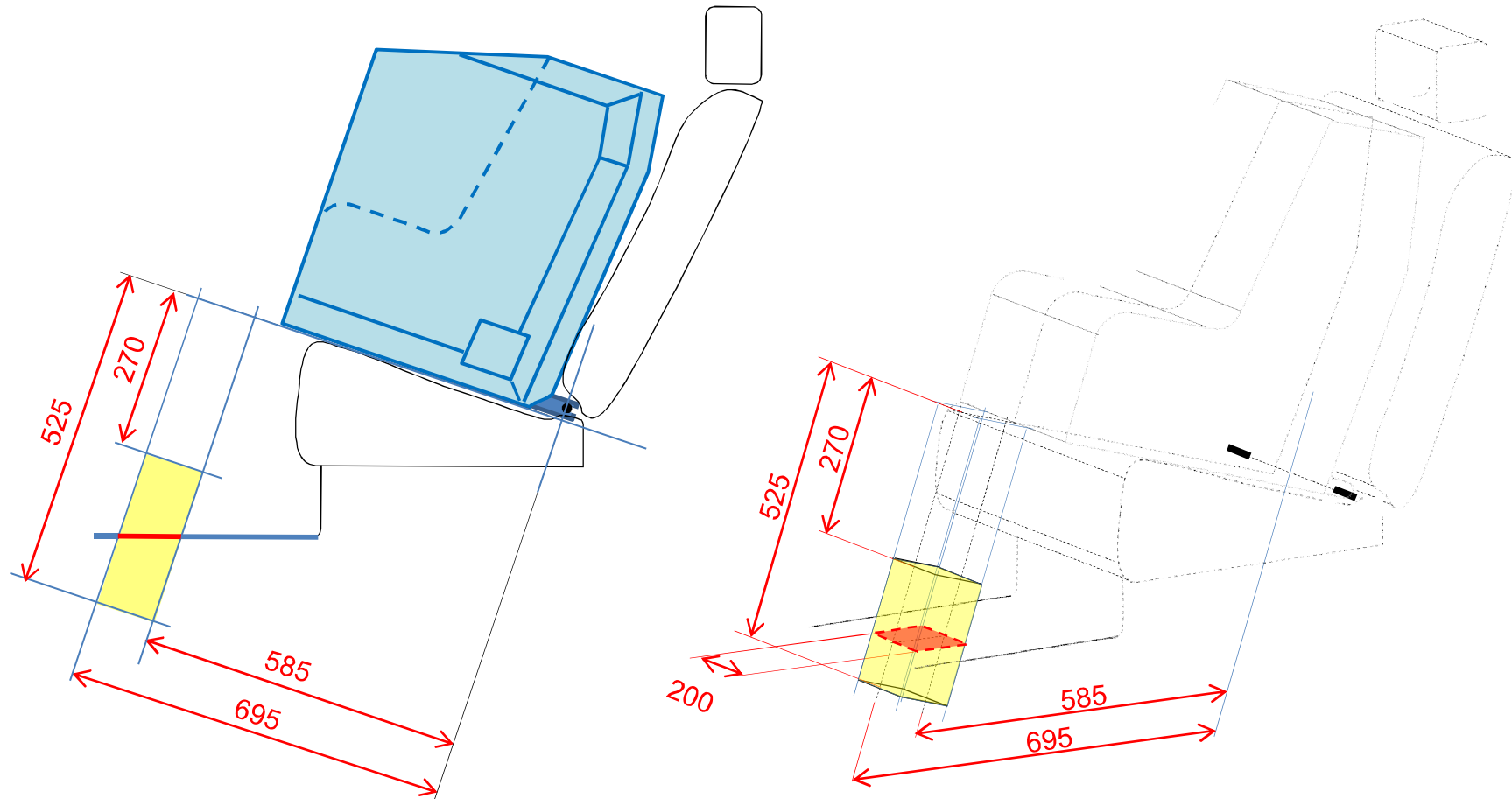
---

Definition of “i-Size seating position”:

Ensure installation of



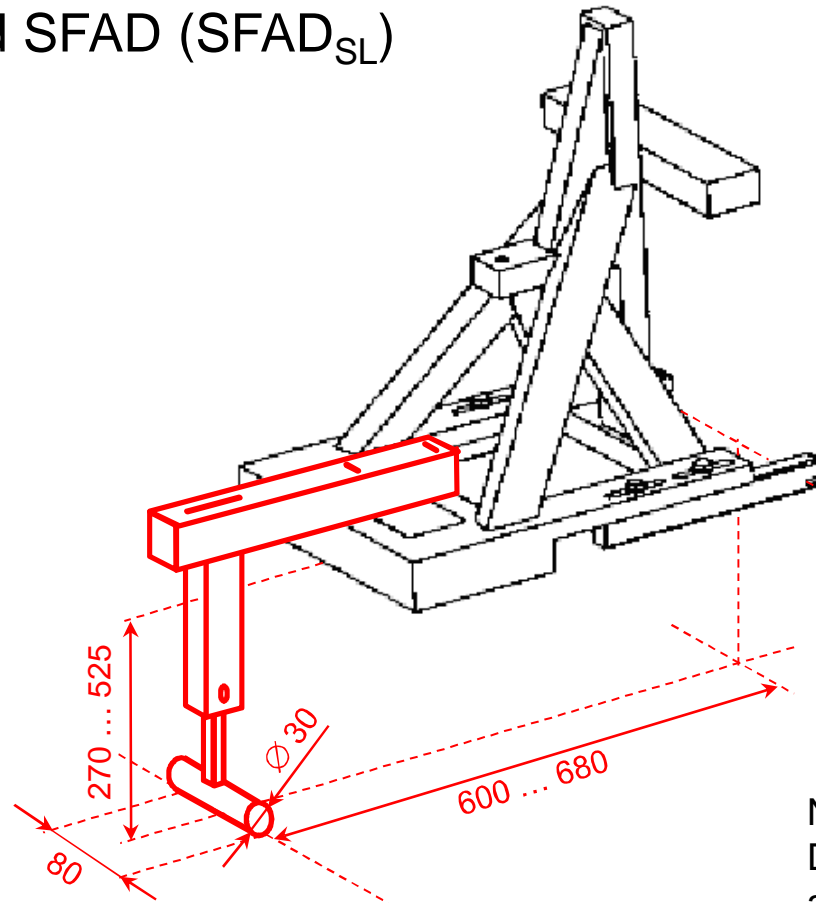
## Determination of the vehicle floor contact surface





# Vehicle related requirements for $i$ -Size CRS

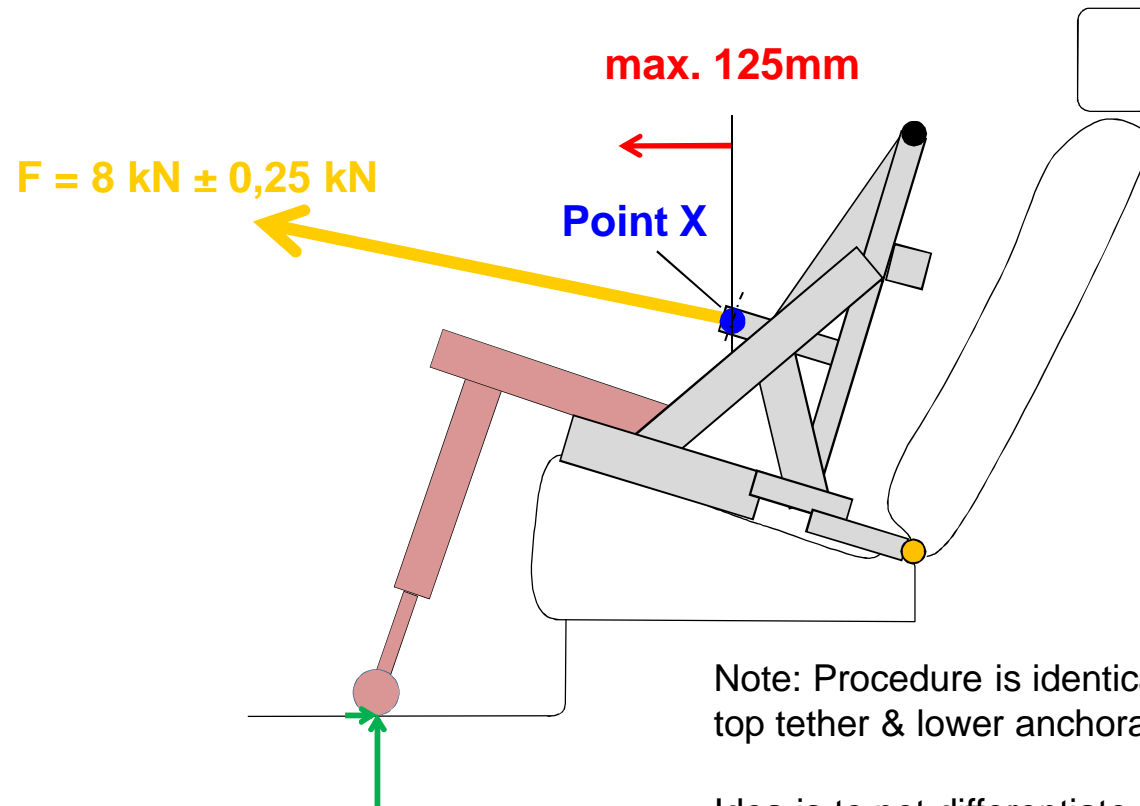
Test tool: Modified SFAD (SFAD<sub>SL</sub>)



Example for an SFAD<sub>SL</sub>

Note:  
Dimensions for support leg foot  
are binding (width = 80mm,  
diameter = 30mm)

Test procedure using SFAD<sub>SL</sub>:



Note: Procedure is identical to the one used for combined top tether & lower anchorage system testing.

Idea is to not differentiate between anti-rotation devices :  
Same purpose – same performance requirement!

Complete vehicle floor contact surface shall comply!



## Vehicle related requirements for **i**-Size CRS

---

“i-Size seating position” Marking:

- Concept of having a mandatory marking for “i-Size seating positions”
- Use one specific symbol for i-Size indication (to be identical for CRS and vehicle)
- Label shall contain no text
- Marking size for seating positions shall remain (min. Ø 13mm)



i-Size marking: New OICA Proposal A



i-Size marking: New OICA Proposal B



# Vehicle related requirements for *i*-Size CRS

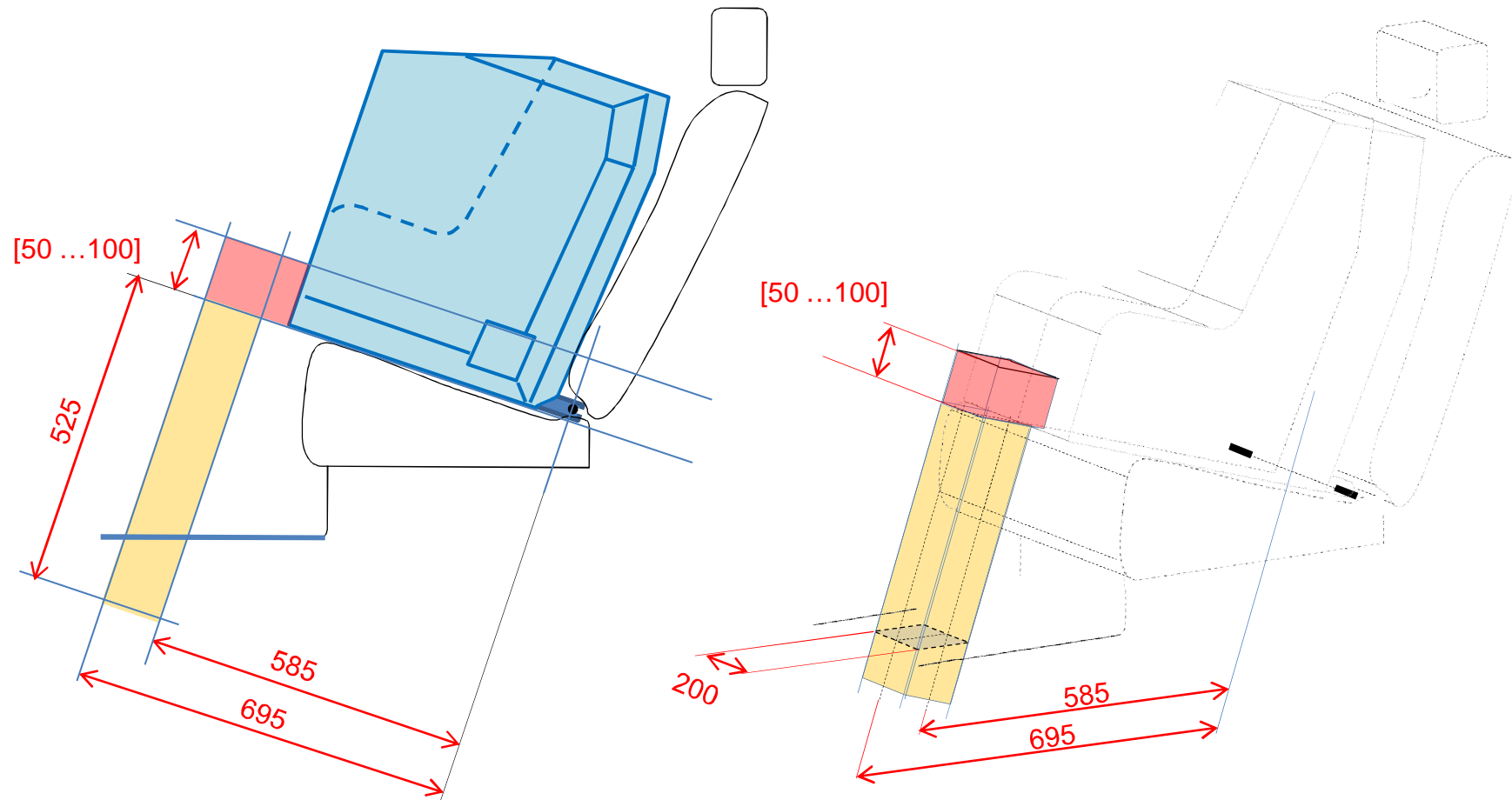
---

ECE R16 draft amendments:

- Geometrical assessment procedure for “i-Size seating positions” (F2X, R2, support leg installation assessment volume)
- Vehicle handbook information, e.g. installation table



## Definition of the support leg installation assessment volume





# Vehicle related requirements for *i*-Size CRS

Vehicle owner’s manual installation instructions & information:

Vehicle manufacturer to provide information on i-Size CRS installation (“i-Size seating positions”) and additional information e.g. in case of limitations for front seat adjustment, etc. in the owner’s manual

	<i>Seating position</i>							
	<i>Front Passenger Outboard</i>	<i>Front Passenger Centre</i>	<i>Rear Outboard Left</i>	<i>Rear Outboard Right</i>	<i>Rear Centre</i>	<i>Intermediate Outboard Left</i>	<i>Intermediate Outboard Right</i>	<i>Intermediate Centre</i>
<i>i-Size Child Restraint Systems</i>								

*Key of letters to be inserted in the above table:*

*i-U = Suitable for i-Size "universal" Child Restraint Systems (forward and rearward facing).*

*i-UF = Suitable for forward-facing i-Size "universal" Child Restraint Systems only.*

*X = Seating position not suitable for i-Size "universal" Child Restraint Systems.*

*Note: Orientation is normal driving direction;*

*columns for seating positions not available in a vehicle can be deleted.*

Example for information to be provided



# Vehicle related requirements for *i*-Size CRS

---

Next steps:

- OICA to prepare informal document for May 2011 GRSP on draft amendments for ECE R14 & R16
- Include latest development of the support leg attachment volume

Timing:

- Informal documents ready for May GRSP