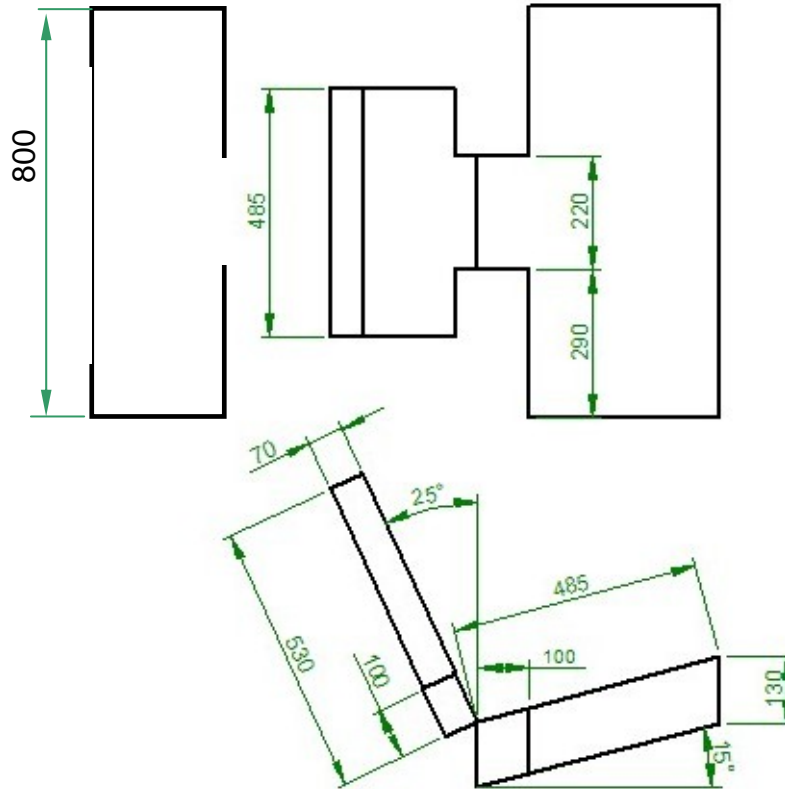


Test Bench

Dimensions	Action
From car data	Acceptable OR new data is available?



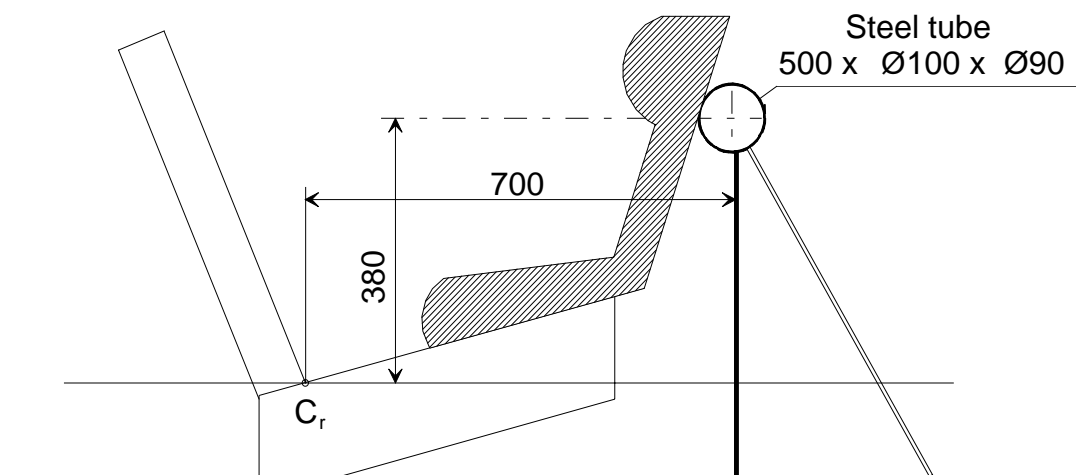
Seat cushion foam (from car data) and covering:	Actions
The characteristics of the seat cushions are defined as FTSS cushion specification – T75500.	needs better specification – FTSS? OR new data is available?
The foam covering - sun shade cloth made of poly-acrylate fibre.	needs better specification - FTSS? OR new data is available?

Head restraint representation	Action
Is it needed or are CRF/VRF enough?	Data needed - CRS/Vehicle manufacturers

ISOFix anchorages	Action
Location for alternative 3 rd point	Data needed - Vehicle manufacturers

Adult Belt	Action
Is it needed for restraining older children OR will the restraint be an integral 3 or 5 point belt within the CRS? (Will the test bench need belt anchorage locations?)	Apply reg 14 Clarification? Put the centre axis of the ISOFix to the centre axis of the adult seating position.

Dash	Action
The current dash may be too stiff if the intension is to measure head and neck loads.	Clarification? No dash. Define energy absorption requirements?



Dimensions in mm

Volunteers Needed	Action
Active participants with current data or who can generate data	Contact M Le Claire mleclair@trl.co.uk (subject - test bench)