



**Economic and Social  
Council**

Distr.  
GENERAL

TRANS/WP.29/2005/33  
7 April 2005

ENGLISH  
Original: ENGLISH AND FRENCH

---

**ECONOMIC COMMISSION FOR EUROPE**

INLAND TRANSPORT COMMITTEE

World Forum for Harmonization of Vehicle Regulations (WP.29)  
(One-hundred-and-thirty-sixth session, 21-24 June 2005,  
agenda item 4.2.4.)

**DRAFT CORRIGENDUM 2 TO THE 06 SERIES OF AMENDMENTS  
TO REGULATION No. 14**

(Safety-belt anchorages)

Transmitted by the Working Party on Passive Safety (GRSP)

Note: The text reproduced below was adopted by GRSP at its thirty-sixth session and is transmitted for consideration to WP.29 and AC.1 (TRANS/WP.29/GRSP/36, para. 11). It is based on TRANS/WP.29/GRSP/2004/17, not amended.

This document is a working document circulated for discussion and comments. The use of this document for other purposes is the entire responsibility of the user.

Documents are also available via the INTERNET:

<http://www.unece.org/trans/main/welcwp29.htm>

Paragraph 5.2.4.1., amend to read:

"5.2.4.1. Subject to paragraphs 5.2.4.3. and 5.2.4.4., the portion of each ISOFIX top tether anchorage that is designed to bind with an ISOFIX top tether connector shall be located not further than 2000 mm far from the shoulder reference point and within the shaded zone, as shown in Figures 6 to 10 of Annex 9, of the designated seating position for which it is installed, with the reference of a template described in SAE J 826 (July 1995) and shown in Annex 9, Figure 5, according to the following conditions:"

Paragraph 5.2.4.2., amend to read:

"5.2.4.2. The ISOFIX top tether anchorage zone may be alternatively located with the aid of the Fixture "ISO/F2" (B), as defined in Regulation No. 16 (Annex 17, Appendix 2, Figure 2), in an ISOFIX position equipped with ISOFIX low anchorages as shown in Figure 11 of Annex 9.

The seating position shall be the seat's rearmost, downmost position with the seat back in its nominal position, or as recommended by the vehicle manufacturer.

In the side view, the ISOFIX top tether anchorage shall lie behind the "ISO/F2" (B) fixture rear face.

The intersection between the "ISO/F2" (B) fixture rear face and the horizontal line (Annex 9, Figure 11, reference 3) containing the last rigid point of a hardness greater than 50 Shore A at the top of the seat back defines the reference point 4 (Annex 9, Figure 11) on the centreline of the "ISO/F2" (B) fixture. At this reference point, a maximum angle of 45° above the horizontal line defines the upper limit of the top tether anchorage zone.

In the top view, at the reference point 4 (Annex 9, Figure 11), a maximum angle of 90° extending rearward and laterally and in the rear view, a maximum angle of 40° defines 2 volumes which limit the anchorage zone for the ISOFIX top tether.

The origin of the ISOFIX top tether strap (5) is located at the intersection of the "ISO/F2" (B) fixture with a plane 550 mm distant above the "ISO/F2" (B) fixture horizontal face (1) on the "ISO/F2" (B) fixture centreline (6).

Further, the ISOFIX top tether anchorage shall be more than 200 mm but not more than 2000 mm from the origin of the ISOFIX top tether strap on the rear face of the "ISO/F2" (B) fixture, measured along the strap when it is drawn over the seat back to the ISOFIX top tether anchorage."

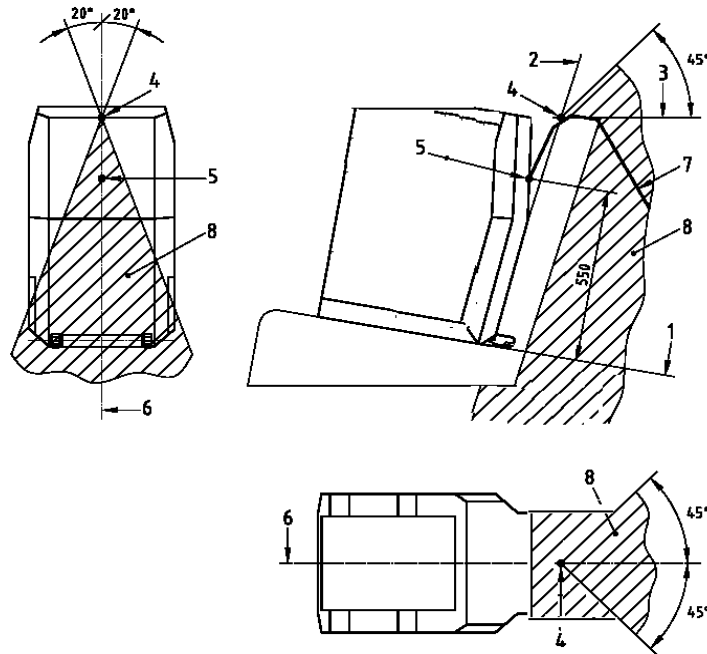
Insert new paragraph 5.2.4.4., to read:

"5.2.4.4. A tether anchorage may be recessed in the seat back, provided that it is not in the strap wrap-around area at the top of the vehicle seat back."

Paragraph 5.2.4.4.(former), renumber as paragraph 5.2.4.5.

Annex 9, Figure 11, amend to read :

"



**Figure 11:** ALTERNATIVE METHOD OF LOCATING THE TOP TETHER ANCHORAGE USING THE "ISO/F2" (B) FIXTURE, ISOFIX ZONE - SIDE, TOP AND REAR VIEWS"

- |   |  |   |                                 |
|---|--|---|---------------------------------|
| 1 | "ISO/F2" (B) fixture horizontal face   | 4 | intersection between 2 and 3    |
| 2 | "ISO/F2" (B) fixture rear face   | 5 | tether reference point          |
| 3 | horizontal line tangent to top of seat back (last rigid point of a hardness greater than 50 Shore A) | 6 | "ISO/F2" (B) fixture centreline |
|   |  | 7 | top tether strap                |
|   |  | 8 | limits of anchorage zone"       |

-----