

**ECONOMIC COMMISSION FOR EUROPE  
INLAND TRANSPORT COMMITTEE  
World Forum for Harmonization of Vehicle Regulations (WP.29)  
Working Party on General Safety Provisions (GRSG)**

PROPOSAL FOR DRAFT AMENDMENTS TO REGULATION No. 107

Transmitted by the Expert from Germany

Part 5 Specifications:

5.7.9.5.1 amend to read:

**"5.7.9.5.1 For a seat behind a partition or other rigid structure other than a seat, a minimum clear space in front of each passenger seat shall be provided as shown in Annex 3, figure 8a. ~~The seat back of another preceding seat or~~ A partition whose contour corresponds approximately to that of the inclined seat back may intrude into this space as provided by paragraph 5.7.9.4. ~~The local presence in this space of seat legs shall also be permitted provided that adequate space remains for the passengers feet."~~**

Insert a new paragraph:

**"5.7.9.5.2. For a seat behind a seat and/or a seat facing the gangway, a minimum clear foot space of at least 300 mm depth and a width according to paragraph 5.7.9.1.1., shall be provided as shown in Annex 3, figure 8b. The local presence in this space of seat legs and of intrusions as provided by paragraph 5.7.9.6.2.3 shall be permitted provided that adequate space remains for the passengers' feet. This foot space may partly be situated in and/or above the gangway but shall not create any obstruction when measuring the minimum gangway-width in accordance with paragraph 5.7.5. "**

Renumber existing paragraph 5.7.9.5.2 to 5.7.9.5.3.

Annex 3

Figure 8 amend to read:

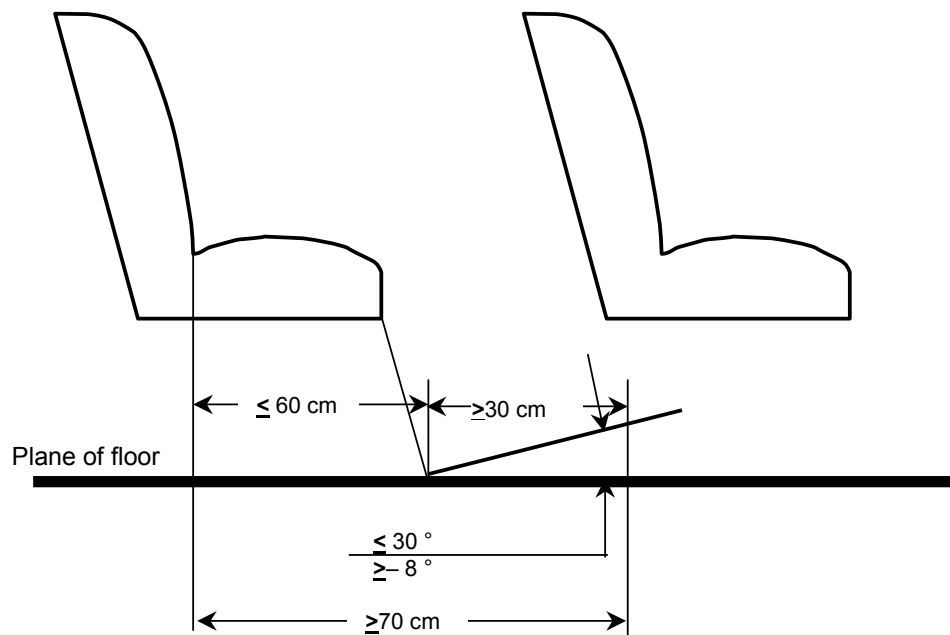
Figure 8a

"Space for seated passengers **behind a partition or other rigid structure other than a seat**"  
(see paragraph 5.7.9.5.1)

Insert a new drawing:

**Figure 8b**

**"Space for seated passengers behind a seat and or/ or a seat facing the gangway"**  
(see paragraph 5.7.9.5.2)



Justification:

The intention of the proposal is:

1. to clarify the interpretation of paragraph 5.7.9.5.1. and Annex 3 figure 8, which was intended not to impose any additional requirements on seat spacing but instead to determine the clear space between a passenger seat and a partition or other rigid structure other than a seat, and
2. to clarify that the foot space in front of each passenger seat may be so located such that parts of the foot space "intrude" into the gangway, either on the floor or above it. In any case, while measuring the gangway width with the respective testing gauge, the foot space shall not obstruct movement of the gauge.